

PRODUCT SPECIFICATIONS SHEET**Model: Colt Pursuit (SC713)****Manufacturer: Pride Mobility Products Ltd.****Internet Address: www.pridemobility.com****Document Information: INFINF2680/Rev C/October 2011**

Model Number	SC713
Class of Use	C
Overall Length ²	135 cm (53 in.)
Overall Width ²	63.5 cm (25 in.)
Total Weight Without Batteries ^{2, 6}	97.5 kg (215 lbs.)
Heaviest Piece When Disassembled	Front Section: 43 kg (94.5 lbs.)
Turning Radius ²	167.5 cm (66 in.)
Speed (Maximum) ¹	12.87 km/h (8 mph)
Range Per Charge ^{1, 4}	Up to 35 km (21.8 miles)
Ground Clearance ²	9.2 cm (3.625 in.) at motor
Weight Capacity	181 kg; 28 stone 8 lbs. (400 lbs.)
Standard Seating	Type: Captain style; fold-flat seat Weight: 21.77 kg (48 lbs.) Material: Black Vinyl Dimensions: 45 cm (18 in.) overall width 45 cm (18 in.) effective depth
Drive System	Rear-wheel drive, sealed transaxle, 24-volt DC motor
Dual Braking System	Regenerative and electromechanical
Tyres	Type: Pneumatic Front and rear: 33 cm (13 in.)
Battery Requirements ^{3, 5}	Two 12-volt, deep-cycle Size: Standard: 50 Ah; Optional: 70Ah Battery Weight: 50 Ah: 14.8 kg (32.5 lbs.) each; 70 Ah: 24 kg (54 lbs.) each
Battery Charger	8-amp, off-board
Maximum Allowable Incline	17.6% (10°)
Maximum Angle Capacity	17.6% (10°)
Maximum Obstacle Climbing Ability	12 cm (4.7 in.)

¹ Varies with user weight, terrain type, battery amp-hour (Ah), battery charge, battery condition and tyre condition. This specification can be subject to variance of +10%, -5%.

² Due to manufacturing tolerances and continued product improvement, this specification can be subject to variance of (+ or -) 3%.

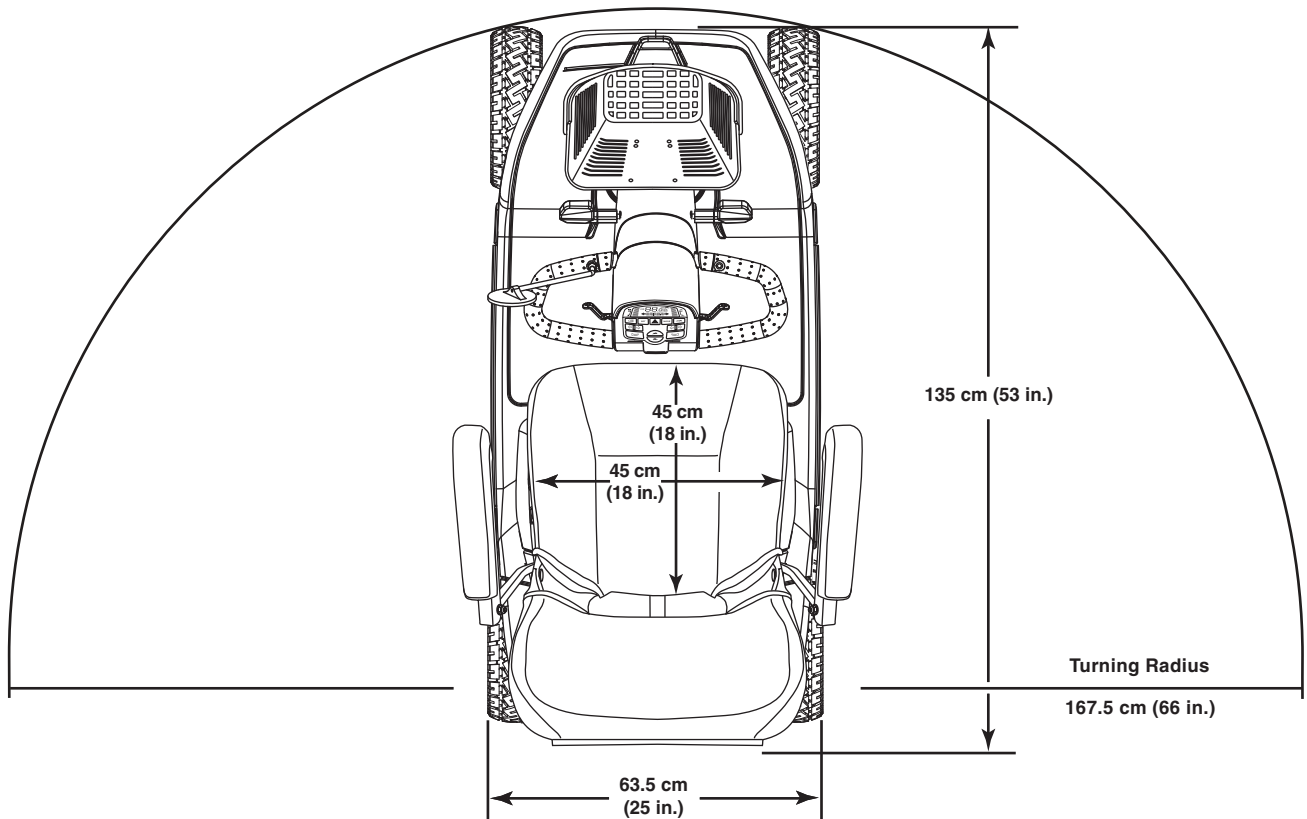
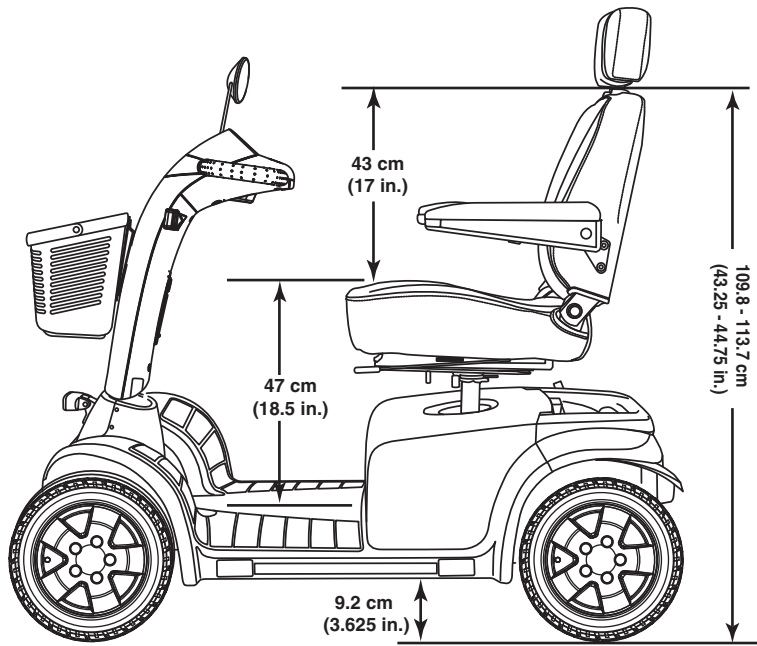
³ AGM or Gel-Cell type required. See IV. "Batteries and Charging."

⁴ Tested in accordance with ANSI/RESNA, WC Vol 2, Section 4 & ISO 7176-4 standards. Results derived from theoretical calculation based on battery specifications and drive system performance. Test conducted at maximum weight capacity.

⁵ Battery weight may vary based on manufacturer.

⁶ Includes standard seat.

NOTE: This product conforms to all applicable ANSI-RESNA testing requirements and ISO EN12184 standards. All specifications subject to change without notice.



* I NFI NFB2680 *